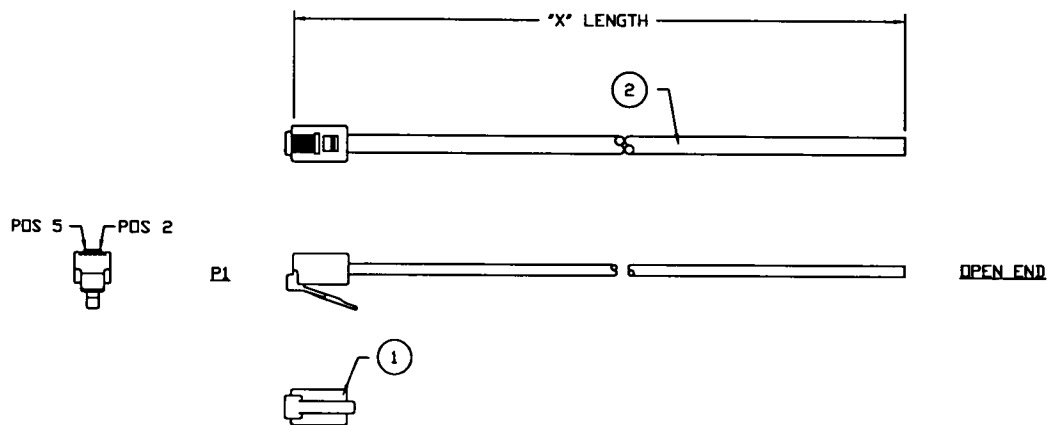


THESE DRAWINGS AND SPECIFICATIONS ARE THE SOLE PROPERTY OF I/O INTERCONNECT INC., U.S.A. AND SHALL NOT BE REPRODUCED, COPIED, OR USED IN ANY MANNER WITHOUT THE PRIOR WRITTEN CONSENT OF I/O INTERCONNECT INC. OR ITS AFFILIATED SUBSIDIARIES.

DWG. NO.	ZONE	REV.	DESCRIPTION	DATE	APPROVED
XX4-520-D		C	ECN C285	08/20/01	K.C.
		D	ADD NOTE & CHANGE P/N TO ROHS COMPLIANT PER ECN 0829	04/21/05	M.G.



WIRE DIAGRAM

P1	OPEN END
2	BLACK
3	RED
4	GREEN
5	YELLOW

NOTES: UNLESS OTHERWISE SPECIFIED.

1. CABLE TO BE BUNDLED AND TWIST TIED.
2. TEST CABLE FOR ALL OPENS & SHORTS.
3. PACKAGE CABLE ASSEMBLY INDIVIDUALLY IN PLASTIC BAG. PACKAGE INDIVIDUAL BAG PER LOT NUMBER QUANTITIES.
4. MARK OUTSIDE SHIPPING BOX WITH CUSTOMER PART NUMBER.
5. PLACE BAR CODE LABEL ON THE OUTSIDE OF EACH SHIPPING BOX LABEL DETAIL SEE DWG 090-990-001.
6. ALL METRICAL SHOULD BE ROHS COMPLIANT.

H3643-25-ND	GLF-464-254-520-D	25.0 FT ± 4.0 IN 7.62 M ± 101.6 MM
H3643-14-ND	GLF-464-144-520-D	14.0 FT ± 3.0 IN 4.27 M ± 76.2 MM
H3643-07-ND	GLF-464-074-520-D	7.0 FT ± 2.0 IN 2.13 M ± 50.8 MM
PART NUMBER DIGI-KEY	PART NUMBER I/O INTERCONNECT	LENGTH *X*
THIRD ANGLE PROJECTION		I/O INTERCONNECT SANTA ANA, CALIFORNIA
UNLESS OTHERWISE NOTED: 1) DIMENSIONS ARE IN INCHES (MILLIMETER) 2) TOLERANCES: X.XX ± 0.25 (6.35)		TITLE: 6P4C MODULAR TO OPEN END, SILVER SATIN, CABLE ASSEMBLY P/N: H3643-XX-ND
DR. BY JERRY SM	DATE 04/21/05	PART NO: GLF-464-XX4-520-D
DR. CHECKED		DWG NO: GLF-464-XX4-520-D
NO.		CUSTOMER: DIGI-KEY
ENGINEER		REV. D
DATE/SCALE		SHEET 1 OF 1
SA		SCALE: NONE

ITEM	QTY	MFG.	IOI PART NO.	DESCRIPTION
2	*X*	IOI	GLF-120-410-000	MODULAR CABLE, 26 AWG (7/34) BARE COPPER, 4 CONDUCTOR, UNSHIELDED, SILVER SATIN PVC. ROHS COMPLIANT.
1	1 PC	IOI	GLF-325-641-50X	CONNECTOR, MODULAR PLUG, 6 POSITION, 4 CONDUCTOR, 50u' Au, FLAT TYPE EXIT. ROHS COMPLIANT.

CABLE ASSEMBLY PARTS LIST